

M400 Transmitter Series for pH, Oxygen, Dissolved Carbon Dioxide and Conductivity

Versatile and intelligent

Technical Data



Short description

The M400 transmitter series features advanced ISM technology and covers pH/ORP, pH ISFET, Oxygen, Dissolved Carbon Dioxide and Conductivity measurements. Thanks to the mixed-mode input functionality, the M400 accepts any analog or ISM sensor of your choice. Combined with its multi-parameter capabilities, the M400 is the state-of-the-art transmitter for your most demanding applications.

The M400 is a single-channel, multi-parameter unit. The same unit can handle different parameters such as pH/ORP, pH ISFET, Oxygen, Dissolved Carbon Dioxide or Conductivity, depending on the type you choose.

Features

- Mixed-mode input (conventional or ISM sensors accepted)
- Advanced ISM functionalities
- Plug and Measure feature
- Multi-parameter unit
- Dynamic Lifetime Indication
- Adaptive Calibration Timer
- Time to Maintenance Indication
- 4-wire installation
- Four 0/4 ... 20 mA current outputs, galvanically isolated
- 6 freely configurable relays
- IP65 rated
- PID controller with pulse length, pulse frequency or analog control
- Quick setup mode
- 8 languages: english, german, french, italian, spanish, portuguese, russian and japanese

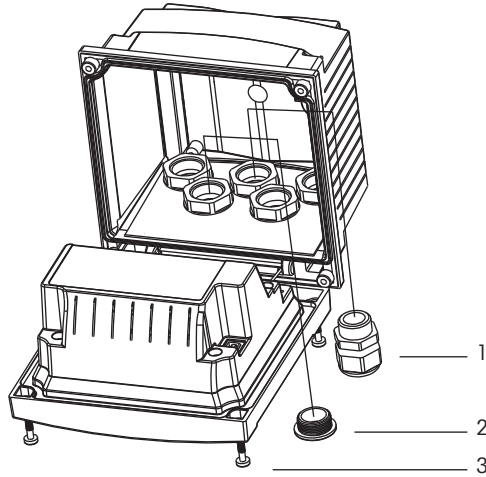
ISM

Contents

Dimensions and installation drawings	2
Specifications	3
Connector pin definitions	6
Ordering information	7

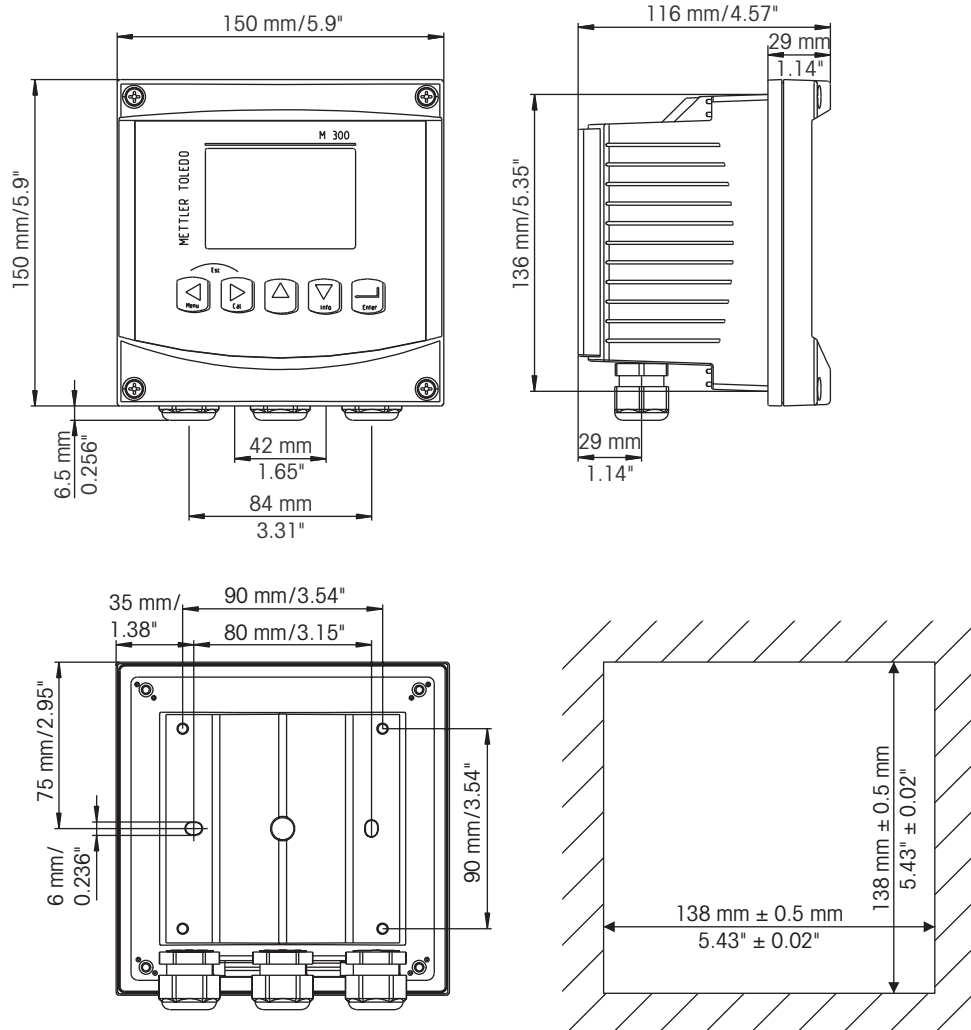
METTLER TOLEDO

Assembly



- 1 3 Pg 13.5 cable glands
- 2 2 plastic plugs
- 3 4 screws

Dimension drawings



pH/ORP incl. ISFET

Measurement parameters	pH, mV, and temperature
pH, ORP input range	-1500 to 1500 mV
pH display range	-2 to 16 pH
Resolution	Auto/0.001/0.01/0.1/1 (can be selected)
Relative accuracy*	± 0.03 pH; ± 2 mV
Temperature input	Pt1000, Pt100
Temperature compensation	Automatic/manual
Temperature measuring range	-30 to 130 °C (-22 to 266 °F)
Temperature resolution	Auto/0.001/0.01/0.1/1 °C/°F (can be selected)
Temperat. measurement error*	± 0.25 °C (± 0.45 °F)
Max. length sensor cable	Analog: 20 m (65ft), depending on sensor; ISM 80 m (260ft)
Calibration	1 or 2 point calibration, process calibration

* For analog input signal (ISM input signal causes no additional error)

Oxygen amperometric

Measurement parameters	- Dissolved oxygen: Saturation or concentration and temperature - Oxygen in gas: Concentration and temperature
Current range	0 to 900 nA
Oxygen measuring ranges	- Dissolved oxygen: Saturation 0 to 500 % air, 0 to 200 % O ₂ Concentration 0.1 ppb (µg/L) to 50.00 ppm (mg/L) - In gas: 0 to 9999 ppm O ₂ gas, 0 to 100 vol % O ₂
Oxygen accuracy*	
- Dissolved oxygen	Saturation: ±0.5% of the measured value or ±0.5%, depending on which is larger. Concentration at high values: ±0.5% of the measured value or ±0.050 ppm / ±0.050 mg/L, depending on which is larger. Concentration at low values: ±0.5% of the measured value or ±0.001 ppm / ±0.001 mg/L, depending on which is larger.
- In gas	±0.5% of the measured value or ±5 ppb, depending on which is larger for ppm O ₂ gas. ±0.5% of the measured value or ±0.01%, depending on which is larger for vol % O ₂ .
Resolution current	30 pA
Polarization voltage	-674 mV (for analog sensors)
Temperature input	NTC 22 kΩ
Temperature compensation	Automatic
Temperature measuring range	-30 to 150 °C (-22 to 302 °F)
Temperature accuracy*	± 0.25 K in the range of -10 to + 80 °C (14 to + 176 °F)
Max. length sensor cable	Analog: 20 m (65 ft); ISM 80 m (260ft)
Calibration	1-point (slope or offset) calibration, process calibration (slope or offset) calibration

* For analog input signal (ISM input signal causes no additional error)

Oxygen optical

Measurement parameters	D.O. saturation or concentration and temperature
DO concentration range	0.1 ppb (µg/L) to 50.00 ppm (mg/l)
DO saturation range	0 to 500 %, 0 to 100 % O ₂
DO resolution	Auto/0.001/0.01/0.1/1 (can be selected)
DO accuracy	± 1 digit
Temperature measuring range	-30 to +150 °C (-22 to 302 °F)
Temperature resolution	Auto/0.001/0.01/0.1/1 °C (°F) (can be selected)
Temperature accuracy	± 1 digit
Temperature compensation	Automatic
Max. length sensor cable	15 m (50 ft)
Calibration	1-point (depending on sensor model), 2-point, process calibration

Conductivity 2-e/4-e

Measurement parameters	Conductivity, and temperature	
Conductivity ranges	2-electrode sensor: 0.02 to 2000 $\mu\text{S}/\text{cm}$ ($500 \Omega \times \text{cm}$ to $50 \text{M}\Omega \times \text{cm}$) C = 0.01 0.002 to 200 $\mu\text{S}/\text{cm}$ C = 0.1 0.02 to 2000 $\mu\text{S}/\text{cm}$ C = 1 15 to 4000 $\mu\text{S}/\text{cm}$ C = 3 15 to 12000 $\mu\text{S}/\text{cm}$ C = 10 50 to 40000 $\mu\text{S}/\text{cm}$ 4-electrode sensor: 0.01 to 650 mS/cm ($1.54 \Omega \times \text{cm}$ to $0.1 \text{M}\Omega \times \text{cm}$)	
Temperature input	Pt1000	
Temperature measuring range	-40 to 200 °C (-40 to 392 °F)	
Max. length sensor cable	60 m (196.9 ft) with 2-electrode sensor 15 m (50 ft) with 4-electrode sensor 80 m (260 ft) with ISM sensor	
Cond/Res accuracy*	$\pm 0.5\%$ of reading or 0.25Ω , whichever is greater, up to $18 \text{M}\Omega \times \text{cm}$	
Cond/Res repeatability*	$\pm 0.25\%$ of reading or 0.25Ω , whichever is greater	
Cond/Res resolution	Auto/0.001/0.01/0.1/1 (can be selected)	
Temperature resolution	Auto/0.001/0.01/0.1/1 °C/°F (can be selected)	
Temperature accuracy*	$\pm 0.25 \text{ }^\circ\text{C}$ ($\pm 0.45 \text{ }^\circ\text{F}$)	
Temperature repeatability*	$\pm 0.13 \text{ }^\circ\text{C}$ ($\pm 0.23 \text{ }^\circ\text{F}$)	
Chemical concentration curves	NaCl 0-26% @ 0 °C to 0-28% @ +100 °C NaOH 0-12% @ 0 °C to 0-16% @ +40 °C to 0-6% @ +100 °C HCl 0-18% @ -20 °C to 0-18% @ 0 °C to 0-5% @ +50 °C HNO ₃ 0-30% @ -20 °C to 0-30% @ 0 °C to 0-8% @ +50 °C H ₂ SO ₄ 0-26% @ -12 °C to 0-26% @ +5 °C to 0-9% @ +100 °C H ₃ PO ₄ 0-35% @ +5 °C to +80 °C User-defined concentration table (9 × 9 matrix)	
TDS ranges	NaCl, CaCO ₃	
Calibration	1 or 2 point calibration, process calibration	

* For analog input signal (ISM input signal causes no additional error)

Conductivity inductive

Measurement parameters	Conductivity and temperature	
Conductivity range	0.0 to 2000 mS/cm	
Temperature input	Pt1000	
Temperature measuring range	-40 to 200 °C (-40 to 392 °F)	
Max. length sensor cable	10 m (33 ft)	
Cond accuracy	$\pm 1\%$ of reading or $\pm 0.005 \text{ mS}/\text{cm}$	
Cond repeatability	$\pm 1\%$ of reading or $\pm 0.005 \text{ mS}/\text{cm}$	
Cond resolution	Auto/0.001/0.01/0.1/1 (can be selected)	
Temperature resolution	Auto/0.001/0.01/0.1/1 °C/°F (can be selected)	
Temperature accuracy*	$\pm 0.25 \text{ }^\circ\text{C}$ ($\pm 0.45 \text{ }^\circ\text{F}$)	
Temperature repeatability	$\pm 0.13 \text{ }^\circ\text{C}$ ($\pm 0.23 \text{ }^\circ\text{F}$)	
Chemical concentration curves	NaCl 0-26% @ 0 °C to 0-28% @ +100 °C NaOH-1 0-13% @ 0 °C to 0-24% @ +100 °C NaOH-2 15-50% @ 0 °C to 30-35% @ +100 °C HCl-1 0-18% @ -20 °C to 0-18% @ +50 °C HCl-2 22-39% @ -20 °C to 22-39% @ +50 °C HNO ₃ -1 0-30% @ -20 °C to 0-30% @ +50 °C HNO ₃ -2 35-96% @ -20 °C to 35-96% @ +50 °C H ₂ SO ₄ -1 0-26% @ -12 °C to 0-37% @ +110 °C H ₂ SO ₄ -2 28-88% @ 0 °C to 39-88% @ +95 °C H ₂ SO ₄ -3 94-99% @ -12 °C to 89-99% @ +95 °C H ₃ PO ₄ 0-35% @ +5 °C to 0-35% @ +80 °C User-defined concentration table (9 × 9 matrix)	
TDS ranges	NaCl, CaCO ₃	
Calibration	1 or 2 point calibration, process calibration	

Dissolved carbon dioxide

Measurement parameters	Dissolved carbon dioxide and temperature
Dissolved carbon dioxide range	0 to 5000 mg/L 0 to 200 %sat 0 to 1500 mmHg 0 to 2000 mbar 0 to 2000 hPa
mV range	-1500 to 1500 mV
Total pressure range	0 to 4000 mbar
Dissolved carbon dioxide accuracy	±5 % of reading ±2 mg/L resp. ±0.2 % of reading ±2 hPa
mV accuracy	±1mV
Resolution	Auto/0.001/0.01/0.1/1 (can be selected)
Temperature input	Pt1000/NTC 22kΩ
Temperature range	-30 to 150 °C (-22 to 302 °F)
Temperature resolution	Auto/0.001/0.01/0.1/1 °C/°F (can be selected)
Temperature accuracy	±0.25 °C (±0.45 °F) within -10 to +80 °C
Temperature repeatability	±0.13 °C (±0.23 °F)
Max. length sensor cable	15 m (50 ft)
Calibration	1 or 2 point calibration, process calibration

Electrical specifications

Power supply	100 to 240 V AC, or 20 to 30 V DC, 10 VA
Frequency for AC	50 to 60 Hz
Number of outputs (analog)	4
Current output	0/4 to 20 mA, 22 mA alarm, galvanically isolated up to 60 V from input and from earth/ground
Measurement error through analog outputs	< ±0.05 mA over 1 to 20 mA range < ±0.10 mA over 0 to 1 mA range
Analog output configuration	Linear, Bi-linear, Logarithmic, Autoranging
Load	max. 500 Ω
Display	Backlit LCD, 4 lines
Running capacity	Ca. 4 days
Keypad	5 tactile feedback keys
Languages	8 (english, german, french, italian, spanish, portuguese, russian and japanese)
PID process controller	Pulse length, pulse frequency or analog control
Cycle time	Ca. 1 sec.
Hold input/Alarm contact	Yes/Yes (alarm delay 0 to 999 s)
Connection terminal	Detachable screw terminals
Relays	- 2-SPDT mechanical rated at 250 VAC, 3 Amps - 2-SPST mechanical rated at 250 VAC, 3 Amps - 2-Reed rated at 250 VAC or DC, 0.5 Amp switching
Digital input	2 with switching limits 0.00 VDC to 1.00 VDC inactive 2.30 VDC to 30.00 VDC active
Analog input	4 to 20 mA (for M400 oxygen transmitter with ISM sensor)
Port	USB, Type B connector
Alarm relay delay	0 – 999 s
Mains fuse	1.0 A slow Blow type FC

Environmental specifications

Storage temperature	-40 to 70 °C (-40 to 158 °F)
Ambient temperature operating range	-10 to 50 °C (14 to 122 °F)

Environmental specifications (cont.)

Relative humidity	0 to 95%
Emissions	According to EN55011 Class A
Certificate	CE
Material	ABS/polycarbonate
Hazardous areas	Type 1, Type 2, Type 3: cFMus Class I Division 2, ATEX Zone 2 Type 1 Cond Ind: cFMus Class I Division 2*, ATEX Zone 2*

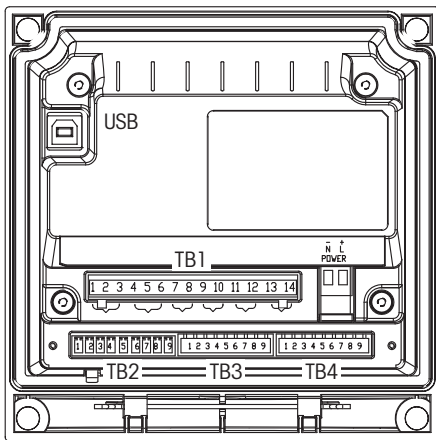
* In Preparation

Mechanical specifications

Dimensions	Housing (H×W×D)*	144×144×116 mm
	Front bezel (H×W)*	150×150 mm
	Max. D – panel mounted	87 mm
Weight	0.95 kg (2 lb)	
Insulation/Rating	IP65	

* H = Height, W = Width, D = Depth

Connector pin definitions



TB1

Pin	Definition
1	NO1
2	COM1
3	NC1
4	NO2
5	COM2
6	NC2
7	COM5
8	NC5
9	COM6
10	NO6
11	NO3
12	COM3
13	NO4
14	COM4

1/2 DIN housing (Wall mount)

TB2	
Pin	Definition
1	AO1+
2	AO1-/AO2-
3	AO2+
4	AO3+
5	AO3-/AO4-
6	AO4+
7	DI1+
8	DI1-/DI2-
9	DI2+

TB3 pin definitions

Conventional sensor

M400 pH transmitter

Pin	Definition
1	Glass
2	not used
3	Reference
4	Solution GND/Shield
5	not used
6	RTD ref/GND
7	RTD sense
8	RTD
9	+5V

M400 ISFET (pH) transmitter

Pin	Definition
1	FET
2	not used
3	Reference
4	Shield/GND
5	not used
6	RTD ref/GND
7	not used
8	RTD
9	+5V DC

M400 Oxygen transmitter

Pin	Definition
1	not used
2	Anode
3	not used
4	Shield/GND
5	Cathode
6	GND/NTC
7	not used
8	NTC
9	+5V

Connector pin definitions (cont.)

M400 Conductivity (2-e/4-e) transmitter	
Pin	
1	Cnd inner1
2	Cnd outer1
3	Cnd inner2
4	Cnd outer2/shield
5	not used
6	RTD ref/GND
7	RTD sense
8	RTD
9	+5V

M400 Conductivity (inductive) transmitter	
Pin	
1	Receive hi
2	Receive lo
3	Shield/GND
4	Send lo
5	Send hi
6	RTD ref/GND
7	RTD sense
8	RTD
9	+5V

M400 Dissolved Carbon Dioxide transm.	
Pin	
1	Glass
2	not used
3	Reference
4	Shield/GND
5	not used
6	RTD ref/GND
7	not used
8	RTD
9	+5V

TB4 pin definitions

Analog input*

Pin	
1	+Input of 4/20 mA signal
2	not used
3	not used
4	- Input of 4/20 mA signal
5	not used
6	not used
7	not used
8	not used
9	not used

ISM sensor (except optical oxygen)

Pin	
1	not used
2	not used
3	Cable core
4	Shield
5	not used
6	not used
7	not used
8	not used
9	not used

ISM optical oxygen sensor

Pin	
1	24 V DC
2	GND 24 V DC
3	not used
4	Shield/GND (5V DC)
5	not used
6	not used
7	RS 485-
8	RS 485+
9	+5V

* Note:
Jumper 3 to 4 has to be installed. 50 Ohm resistor has to be installed between 1 and 4.

Ordering information

Transmitter	Order no.
M400 Type 1, 1-channel multi-parameter	52 121 348
M400 Type 1 Cond Ind, 1-channel multi-parameter	52 121 495
M400 Type 2, 1-channel multi-parameter	52 121 349
M400 Type 3, 1-channel multi-parameter	52 121 350

Parameter guide M400

Parameter	Type 1		Type 1 Cond Ind		Type 2		Type 3	
	Analog	ISM	Analog	ISM	Analog	ISM	Analog	ISM
pH/ORP	•	•	-	•	•	•	•	•
pH ISFET	•	-	-	-	•	-	•	-
Conductivity 2-e	•	-	-	-	•	-	•	-
Conductivity 4-e	•	•	-	•	•	•	•	•
Conductivity inductive	-	-	•	-	-	-	-	-
Amp. DO ppm/ppb/trace	-	-	-	-	•/-/-	•/-/-	•/•/-	•/•/•
Amp. O ₂ gas ppm/ppb/trace	-	-	-	-	•/-/-	•/-/-	•/•/-	•/•/•
DO optical ppm/ppb	-	-	-	-	-	•/-	-	•/•
Dissolved Carbon Dioxide	-	-	-	-	-	-	•	-

Accessories	Order no.
Pipe mount kit	52 500 212
Panel mount kit	52 500 213
Protective hood	52 500 214
Terminal blocks for M300, M400	52 121 504

Sales and Service:

Australia

Mettler-Toledo Ltd.
220 Turner Street
Port Melbourne
AUS-3207 Melbourne/VIC
Phone +61 1300 659 761
Fax +61 3 9645 3935
e-mail info.mtaus@mt.com

Austria

Mettler-Toledo Ges.m.b.H.
Südrandstraße 17
A-1230 Wien
Phone +43 1 604 19 80
Fax +43 1 604 28 80
e-mail infoprocess.mtat@mt.com

Brazil

Mettler-Toledo Ind. e Com. Ltda.
Alameda Araguaia, 451
Alphaville
BR-06455-000 Barueri/SP
Phone +55 11 4166 7444
Fax +55 11 4166 7401
e-mail mettler@mettler.com.br
service@mettler.com.br

China

Mettler-Toledo Instruments
(Shanghai) Co. Ltd.
589 Gui Ping Road
Cao He Jing
CN-200233 Shanghai
Phone +86 21 64 85 04 35
Fax +86 21 64 85 33 51
e-mail mtcs@public.sta.net.cn

Croatia

Mettler-Toledo d.o.o.
Mandlova 3
HR-10000 Zagreb
Phone +385 1 292 06 33
Fax +385 1 295 81 40
e-mail mf.zagreb@mt.com

Czech Republic

Mettler-Toledo s.r.o.
Trebohosticka 2283/2
CZ-100 00 Praha 10
Phone +420 2 72 123 150
Fax +420 2 72 123 170
e-mail sales.mtcz@mt.com

Denmark

Mettler-Toledo A/S
Naverland 8
DK-2600 Glostrup
Phone +45 43 27 08 00
Fax +45 43 27 08 28
e-mail info.mtdk@mt.com

France

Mettler-Toledo
Analyse Industrielle S.A.S.
30, Boulevard de Douaumont
F-75017 Paris
Phone +33 1 47 37 06 00
Fax +33 1 47 37 46 26
e-mail mtpro-f@mt.com

Germany

Mettler-Toledo GmbH
Prozeßanalytik
Ockerweg 3
D-35396 Gießen
Phone +49 641 507 333
Fax +49 641 507 397
e-mail prozess@mt.com

Great Britain

Mettler-Toledo LTD
64 Boston Road, Beaumont Leys
GB-Leicester LE4 1AW
Phone +44 116 235 7070
Fax +44 116 236 5500
e-mail enquire.mtuk@mt.com

Hungary

Mettler-Toledo Kereskedelmi KFT
Teve u. 41
HU-1139 Budapest
Phone +36 1 288 40 40
Fax +36 1 288 40 50
e-mail mthu@axelero.hu

India

Mettler-Toledo India Private Limited
Amar Hill, Saki Vihar Road
Powai
IN-400 072 Mumbai
Phone +91 22 2857 0808
Fax +91 22 2857 5071
e-mail sales.mtin@mt.com

Italy

Mettler-Toledo S.p.A.
Via Vialba 42
I-20026 Novate Milanese
Phone +39 02 333 321
Fax +39 02 356 2973
e-mail customercare.italia@mt.com

Japan

Mettler-Toledo K.K.
Process Division
6F Ikenohata Nisshoku Bldg.
2-9-7, Ikenohata
Taito-ku
JP-110-0008 Tokyo
Tel. +81 3 5815 5606
Fax +81 3 5815 5626
e-mail helpdesk.ing.jp@mt.com

Malaysia

Mettler-Toledo (M) Sdn Bhd
Bangunan Electrocon Holding, U 1-01
Lot 8 Jalan Astaka U8/84
Seksyen U8, Bukit Jelutong
MY-40150 Shah Alam Selangor
Phone +60 3 78 44 58 88
Fax +60 3 78 45 87 73
e-mail
MT-MY.CustomerSupport@mt.com

Mexico

Mettler-Toledo S.A. de C.V.
Ejercito Nacional #340
Col. Chapultepec Morales
Del. Miguel Hidalgo
MX-11570 México D.F.
Tel. +52 55 1946 0900
e-mail ventas.lab@mt.com

Poland

Mettler-Toledo (Poland) Sp.z.o.o.
ul. Poleczki 21
PL-02-822 Warszawa
Phone +48 22 545 06 80
Fax +48 22 545 06 88
e-mail polska@mt.com

Russia

Mettler-Toledo Vostok ZAO
Sretenskij Bulvar 6/1
Office 6
RU-101000 Moscow
Phone +7 495 621 56 66
Fax +7 495 621 63 53
e-mail inforus@mt.com

Singapore

Mettler-Toledo (S) Pte. Ltd.
Block 28
Ayer Rajah Crescent #05-01
SG-139959 Singapore
Phone +65 6890 00 11
Fax +65 6890 00 12
+65 6890 00 13
e-mail precision@mt.com

Slovakia

Mettler-Toledo s.r.o.
Hattalova 12/A
SK-831 03 Bratislava
Phone +421 2 4444 12 20-2
Fax +421 2 4444 12 23
e-mail predaj@mt.com

Slovenia

Mettler-Toledo d.o.o.
Pot heroja Trtnika 26
SI-1261 Ljubljana-Dobrunje
Phone +386 1 530 80 50
Fax +386 1 562 17 89
e-mail keith.racman@mt.com

South Korea

Mettler-Toledo (Korea) Ltd.
Yeil Building 1 & 2 F
124-5, YangJe-Dong
SeCho-Ku
KR-137-130 Seoul
Phone +82 2 3498 3500
Fax +82 2 3498 3555
e-mail Sales_MTKR@mt.com

Spain

Mettler-Toledo S.A.E.
C/Miguel Hernández, 69-71
ES-08908 L'Hospitalet de Llobregat
(Barcelona)
Phone +34 902 32 00 23
Fax +34 902 32 00 24
e-mail mtemkt@mt.com

Sweden

Mettler-Toledo AB
Virkesvägen 10
Box 92161
SE-12008 Stockholm
Phone +46 8 702 50 00
Fax +46 8 642 45 62
e-mail sales.mts@mt.com

Switzerland

Mettler-Toledo (Schweiz) GmbH
Im Langacher
Postfach
CH-8606 Greifensee
Phone +41 44 944 45 45
Fax +41 44 944 45 10
e-mail salesola.ch@mt.com

Thailand

Mettler-Toledo (Thailand) Ltd.
272 Soi Soonvijai 4
Rama 9 Rd., Bangkapi
Huay Kwang
TH-10320 Bangkok
Phone +66 2 723 03 00
Fax +66 2 719 64 79
e-mail
MT-TH.ProcessSupport@mt.com

USA/Canada

Mettler-Toledo Ingold, Inc.
36 Middlesex Turnpike
Bedford, MA 01730, USA
Phone +1 781 301 8800
Freephone +1 800 352 8763
Fax +1 781 271 0681
e-mail mtprous@mt.com



Management System
certified according to
ISO 9001 / ISO 14001

Subject to technical changes.
07/2011. © Mettler-Toledo AG
Printed in Switzerland. 52 121 341

Mettler-Toledo AG, Process Analytics
Im Hackacker 15, CH-8902 Urdorf, Switzerland
Phone + 41 44 729 62 11, Fax +41 44 729 66 36

www.mt.com/pro